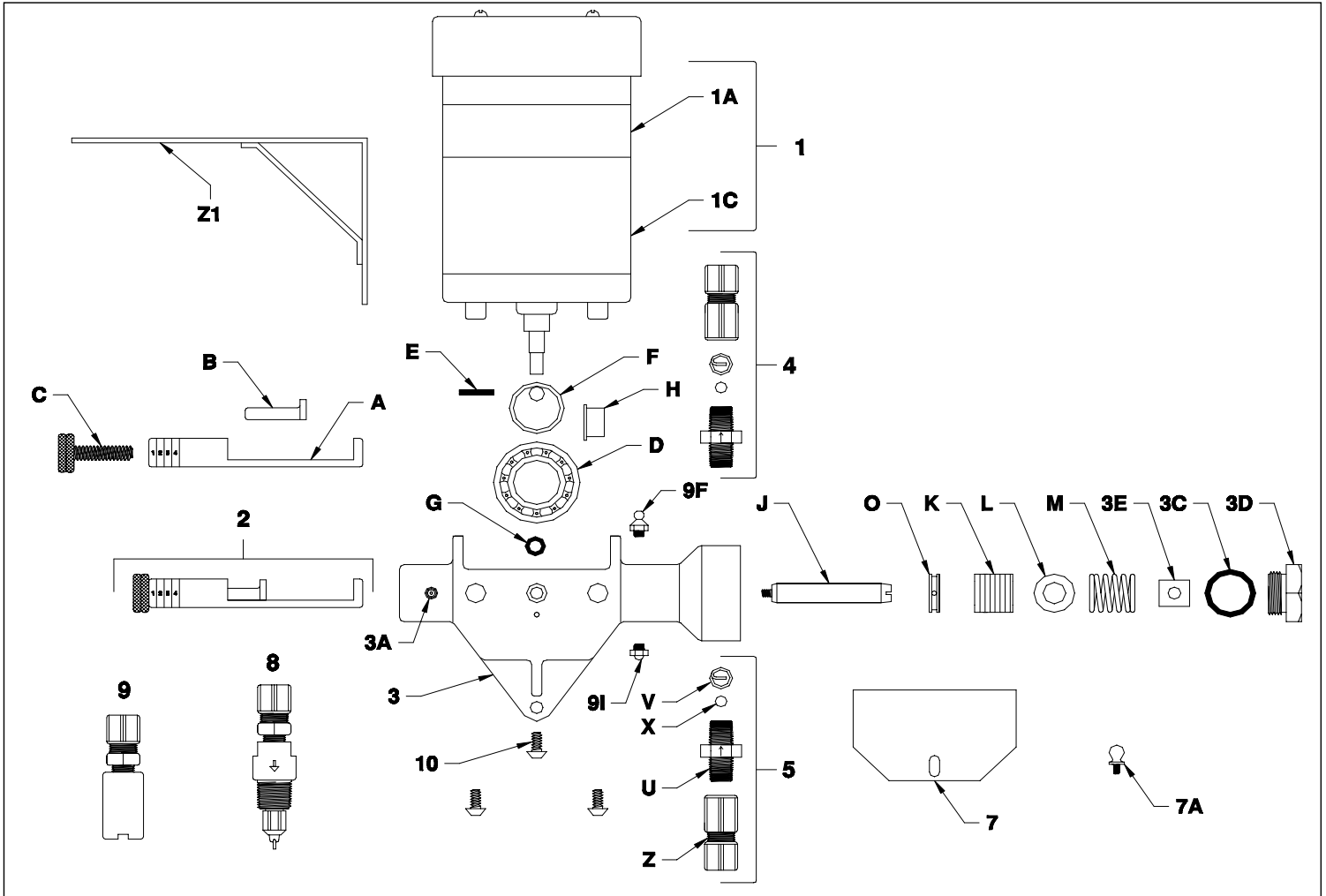


V-7 PUMP PARTS



ITEM	PART #	DESCRIPTION
1	VW-2	120 VAC 1PH 1/20TH HP 2 RPM GEARMOTOR
	VW-6	120 VAC 1PH 1/20TH HP 6 RPM GEARMOTOR
	VW-12	120 VAC 1PH 1/20TH HP 12 RPM GEARMOTOR
	VW-30	120 VAC 1PH 1/20TH HP 30 RPM GEARMOTOR
	VW-60	120 VAC 1PH 1/20TH HP 60 RPM GEARMOTOR
1A	6K151	REPLACEMENT MOTOR ONLY (SPECIFY GEAR HEAD RPM)
1C	1C-2	2 RPM GEAR HEAD ASSEMBLY
	1C-6	6 RPM GEAR HEAD ASSEMBLY
	1C-12	12 RPM GEAR HEAD ASSEMBLY
	1C-30	30 RPM GEAR HEAD ASSEMBLY
	1C-60	60 RPM GEAR HEAD ASSEMBLY
2	097	SLIDE ARM ASSEMBLY
3	08-P	V-7 PUMP CASTING
3A	006-2	SLIDE GREASE FITTING
4*	02D-S	303SS DISCHARGE CHECK VALVE ASSEMBLY
5*	02S-S	303SS SUCTION CHECK VALVE ASSEMBLY
7	102	PLASTIC COVER
	102 GC	SS GASKETED COVER
7A	1102-1	COVER SCREW
8	8	POLYETHYLENE INJECTION NOZZLE
9	9	POLYETHYLENE FOOT VALVE
9F	006-5	GREASE FITTING
9I	006	GREASE RELIEF FITTING
10	08-4	1/4-20 BUTTON HEAD SCREW (3 REQUIRED)

ITEM	PART #	DESCRIPTION
A	090	SLIDE
B	098	SLIDE PIN
C	099	STROKE ADJUSTMENT SCREW & LOCKNUT
D	3L06	DRIVE BEARING
E	101-1	1/8" X 1" ROLLED PIN
F	101	DRIVE BEARING SUPPORT CAM
G	312	OILITE SUPPORT BUSHING
H	500	OILITE PISTON BUSHING
J*	07-SS	V-7 STAINLESS STEEL PISTON
K*	012-3 (V-7)	V-7 PACKING SET
L	13	PACKING RETAINER WASHER
M	M	PACKING LOAD SPRING
O	017-4	GREASE GLAND
U	02-S	303SS CHECK VALVE BODY
V	002-7	BALL CHECK RETAINER SPRING
X	002-5	3/8" DIAMETER 316SS BALL CHECK
Z	50-9	3/8" NPT X 3/8" OD POLY TUBING FITTING
	50-9 SS	3/8" NPT X 3/8" OD 316SS TUBING FITTING
Z1	Z1	MINI-PUMP WALL BRACKET
3C	3C	VITON "O" RING CAP SEAL
3D	3D	V-7 END CAP
3E	3E	V-7 PACKING SPACER SLEEVE

* RECOMMENDED SPARE PARTS