

# CHEMICAL FEED SYSTEMS



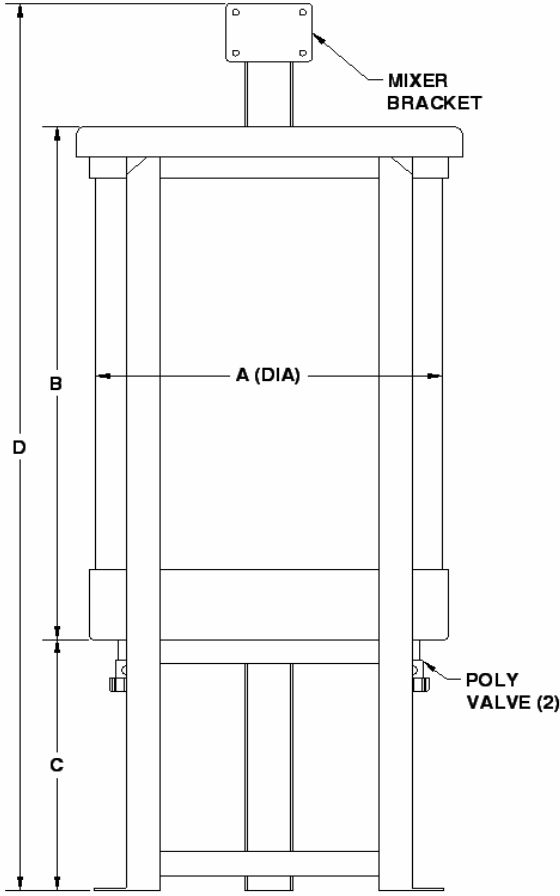
Chemical feed systems are manufactured to individual customer requirements. Tank sizes are available from 30 gallons to 500 gallons. Pump platforms under the tank accommodate one, two or three pumps, or a side platform can be fabricated to hold as many as five pumps. An agitator can be mounted on top of the tank to mix liquids or blend powders into solution. A control panel can be added to control liquid level in the tank, run the pumps and mixers manually or automatically. Automatic control can include timers, water meter timer combinations, or remote contact closures from a system process. The chemical feed systems are prepiped with a strainer and isolation valve in the supply line from the tank to the pump suction and a pressure relief valve in the discharge piping of the pump.

STEEL    STAINLESS STEEL    POLYETHYLENE    OVER PACK POLYETHYLENE LINED

**POLYETHYLENE**

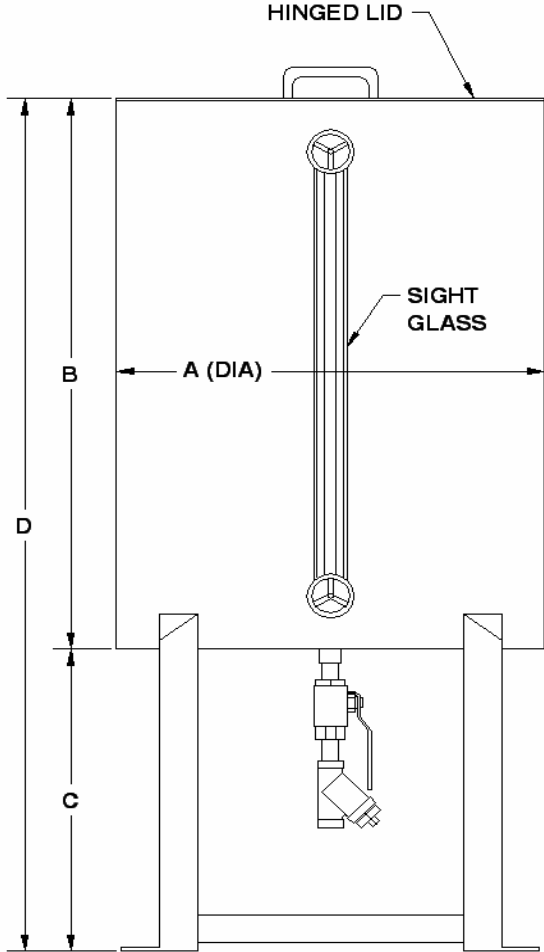
| CAPACITY GALLONS | WALL THK | DIMENSIONS |     |     |     |
|------------------|----------|------------|-----|-----|-----|
|                  |          | A          | B   | C   | D   |
| 30               | 1/8"     | 18"        | 30" | 12" | 49" |
| 55               | 1/8"     | 22"        | 34" | 17" | 60" |
| 100              | 1/4"     | 28"        | 42" | 18" | 70" |
| 150              | 1/4"     | 36"        | 36" | 18" | 66" |
| 200              | 1/4"     | 36"        | 48" | 20" | 78" |
| 300              | 1/4"     | 51"        | 36" | 20" | 66" |
| 400              | 1/4"     | 51"        | 48" | 20" | 78" |
| 500              | 5/16"    | 51"        | 60" | 20" | 90" |

POLY TANK AND STANDS ARE SUPPLIED WITH A REMOVABLE LID, TWO POLY VALVES INSTALLED IN THE BOTTOM, AND A CARBON STEEL PIPING ASSEMBLY FOR ONE PUMP HEAD (AN ALL PLASTIC PIPING ASSEMBLY IS OPTIONAL). 50 AND 100 GALLON TANK STANDS HAVE 3 LEGS, ALL OTHERS HAVE 4 LEGS. ONLY THE 50 GALLON TANK STAND HAS THE UPPER SUPPORT RING. TANK STANDS ARE PAINTED GREY ENAMEL.



**OVERPACK (STEEL SHELL W/POLY LINER)  
VISUAL SLIT & REMOVABLE LID IS STANDARD**

| CAPACITY GALLONS | GAUGE SHELL | DIMENSIONS |     |     |     |
|------------------|-------------|------------|-----|-----|-----|
|                  |             | A          | B   | C   | D   |
| 55               | 18          | 22"        | 34" | 17" | 60" |



**STEEL & STAINLESS STEEL**

| CAPACITY GALLONS | GAUGE WALL | DIMENSIONS |     |     |     |
|------------------|------------|------------|-----|-----|-----|
|                  |            | A          | B   | C   | D   |
| 50               | 16         | 23"        | 31" | 17" | 48" |
| 50               | 10         | 23"        | 31" | 17" | 48" |
| 100              | 10         | 36"        | 31" | 20" | 51" |
| 150              | 10         | 36"        | 36" | 20" | 56" |
| 200              | 10         | 36"        | 48" | 20" | 68" |
| 250              | 10         | 36"        | 60" | 20" | 80" |
| 300              | 10         | 46"        | 48" | 20" | 68" |
| 500              | 10         | 46"        | 72" | 18" | 90" |

STEEL AND STAINLESS STEEL TANKS ARE SUPPLIED WITH A HALF HINGED LID, CARBON STEEL VALVE AND STRAINER, BRASS GAUGE GLASS VALVES, AND CARBON STEEL LEGS. SS PIPING, SS GAUGE GLASS VALVES, AND SS LEGS ARE OPTIONAL. TANKS ARE PAINTED GREY ENAMEL.

# TANK ACCESSORIES

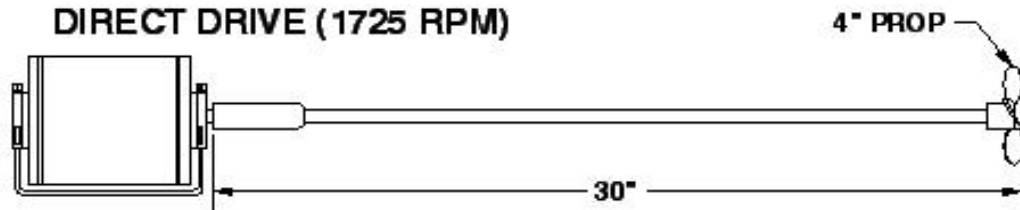
| PART NUMBER |          | AGITATORS   |       |     |      | PROP |
|-------------|----------|-------------|-------|-----|------|------|
| ANGLE MT    | CLAMP MT | VAC/60 HZ   | FRAME | HP  | RPM  | DIA  |
| 612         | 611      | 120 1PH     | TENV  | 1/4 | 1725 | 4"   |
| 712         | 711      | 120/240 1PH | EPFC  | 1/4 | 1725 | 4"   |
| 012         | 011      | 230/460 3PH | EPFC  | 1/4 | 1725 | 4"   |
| 912         | 911      | 230/460 3PH | TENV  | 1/4 | 1725 | 4"   |
| 422         | 421      | 120 1PH     | TEFC  | 1/3 | 276  | 9"   |
| 522         | 521      | 230/460 3PH | TEFC  | 1/3 | 276  | 9"   |

**TENV**-TOTALLY ENCLOSED NON-VENTILATED  
**EPFC**-EXPLOSION PROOF FAN COOLED  
**TEFC**-TOTALLY ENCLOSED FAN COOLED

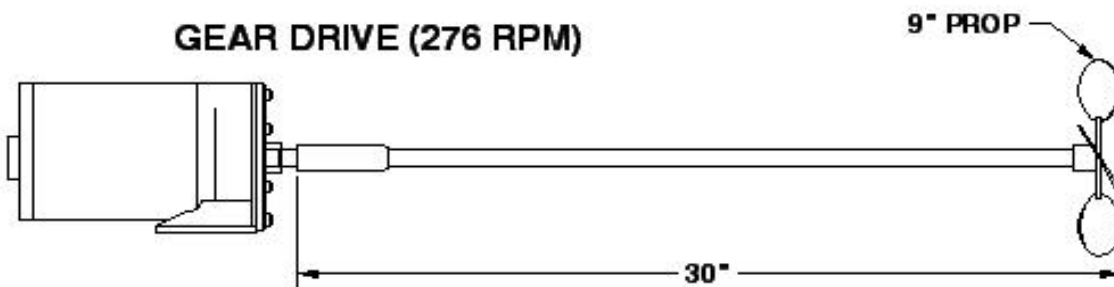
| PART #    | MISC TANK ACCESSORIES DESCRIPTION  |
|-----------|------------------------------------|
| 030-1     | REPLACEMENT 30 GALLON POLY LID     |
| 050-1     | REPLACEMENT 50 GALLON POLY LID     |
| 0100-1    | REPLACEMENT 100 GALLON POLY LID    |
| 10A       | FLOATING COVER FOR 50 GALLON       |
| 10B       | FLOATING COVER FOR 30 GALLON       |
| 10C       | FLOATING COVER FOR 100 GALLON      |
| 31A       | 10A WITH AGITATOR SPOOL            |
| 31B       | 10B WITH AGITATOR SPOOL            |
| 31C       | 10C WITH AGITATOR SPOOL            |
| 12        | 1/5 CU FT SS DISSOLVING BASKET     |
| 13        | 120 VAC LOW LEVEL CUTOFF & ALARM   |
| 20        | 2 CU FT DISSOLVING BASKET          |
| 050-P-3   | 1/2" NPT PVC BULKHEAD FITTING      |
| 050-P-4   | 3/4" NPT PVC BULKHEAD FITTING      |
| 050-P-5   | 3/4" NPT PVC TANK DRAIN VALVE      |
| 050-P-5R  | 3/4" NPT PVC TANK VALVE WITH RISER |
| 050-P-6   | 1" NPT PVC BULKHEAD FITTING        |
| 050-P-7   | 1 1/2" NPT PVC BULKHEAD FITTING    |
| 050-P-8   | 2" NPT PVC BULKHEAD FITTING        |
| EP        | EPOXY PAINTING PUMPS OR SYSTEMS    |
| HL        | SS HINGE ON POLY LIDS              |
| SP        | SIDE MOUNT PUMP PLATFORM           |
| SS PIPING | 316SS PIPING                       |
| SGV       | BRASS SIGHT GLASS VALVES           |
| SS SGV    | 316SS SIGHT GLASS VALVES           |

| BASIC 120 VAC CONTROL PANELS |                                   |
|------------------------------|-----------------------------------|
| PART #                       | DESCRIPTION                       |
| MP1                          | 14 X 12 X 6 NEMA 12 ENCLOSURE     |
|                              | MIXER ON-OFF SWITCH               |
|                              | PUMP HAND-OFF-AUTO SWITCH         |
|                              | POWER RELAYS FOR MOTORS           |
|                              | FUSES & TERMINALS & LIGHTS        |
| MP2                          | 14 X 12 X 6 NEMA 12 ENCLOSURE     |
|                              | MIXER ON-OFF SWITCH               |
|                              | TWO PUMP HAND-OFF-AUTO SWITCHES   |
|                              | POWER RELAYS FOR MOTORS           |
|                              | FUSES & TERMINALS & LIGHTS        |
| MP3                          | 20 X 16 X 7 NEMA 12 ENCLOSURE     |
|                              | MIXER ON-OFF SWITCH               |
|                              | THREE PUMP HAND-OFF-AUTO SWITCHES |
|                              | POWER RELAYS FOR MOTORS           |
|                              | FUSES & TERMINALS & LIGHTS        |
| MLP1                         | 14 X 12 X 6 NEMA 12 ENCLOSURE     |
|                              | MIXER ON-OFF SWITCH               |
|                              | PUMP HAND-OFF-AUTO SWITCH         |
|                              | POWER RELAYS FOR MOTORS           |
|                              | LOW LEVEL ALARM & CUTOFF CIRCUIT  |
| MLP2                         | 20 X 16 X 7 NEMA 12 ENCLOSURE     |
|                              | MIXER ON-OFF SWITCH               |
|                              | TWO PUMP HAND-OFF-AUTO SWITCHES   |
|                              | POWER RELAYS FOR MOTORS           |
|                              | LOW LEVEL ALARM & CUTOFF CIRCUIT  |
| MLP3                         | 24 X 20 X 7 NEMA 12 ENCLOSURE     |
|                              | MIXER ON-OFF SWITCH               |
|                              | THREE PUMP HAND-OFF-AUTO SWITCHES |
|                              | POWER RELAYS FOR MOTORS           |
|                              | LOW LEVEL ALARM & CUTOFF CIRCUIT  |
| MLP3                         | FUSES & TERMINALS & LIGHTS        |

**DIRECT DRIVE (1725 RPM)**



**GEAR DRIVE (276 RPM)**



# POSITIVE DISPLACEMENT PUMP OPTIONS



## **V-10 PISTON PUMP**

Recommended for boiler chemical treatment, pulp and paper applications, and waste water treatment.  
Capacities from 0 to 1 GPM  
Pressures to 1000 PSI



## **V-10-H DIAPHRAGM PUMP**

Recommended for chemical treatment to cooling towers and extremely corrosive applications.  
Capacities from 0 to 1 GPM  
Pressures to 100 PSI



## **V-6 & V-7 MINI PUMP**

Recommended for smaller scale applications of a piston or diaphragm pump.  
Capacities from 0 to 48 GPD  
Pressures to 100 PSI